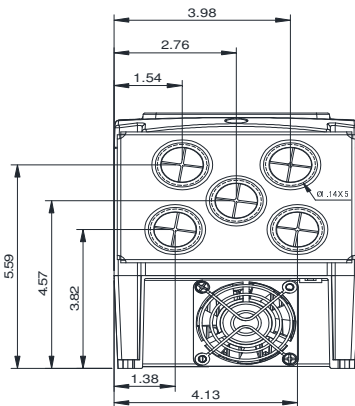
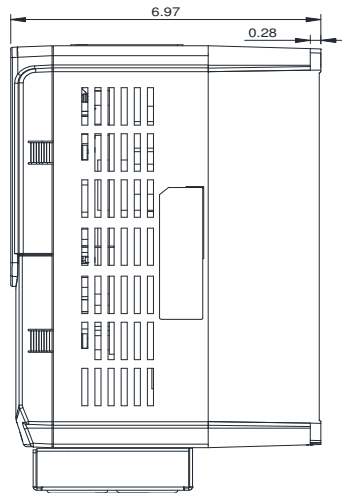
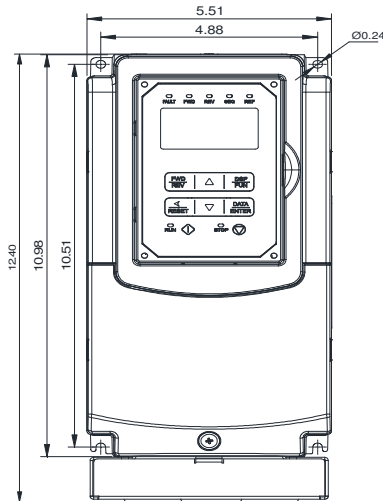


GENERAL DATASHEET VARIABLE SPEED DRIVE

Series A510				MODEL# A510-2003-C-U		
ISSUED 8/30/2016				ENCLOSURE/ FRAME NEMA 1 (IP20) / F2		
SINGLE PHASE INPUT AMPS		AC INPUT VOLTAGE	AC INPUT FREQUENCY	AC INPUT PHASE		
HD (CT)	ND (VT)					
20.3	22.1	200-240	50/60	1/3		
THREE PHASE INPUT AMPS						
HD (CT)	ND (VT)					
11.7	12.8					
OUTPUT HP		AC OUTPUT VOLTAGE	AC OUTPUT FREQUENCY	AC OUTPUT PHASE		
HD (CT)	ND (VT)					
3	3	0-240	0-599	3		



Approved By:	Brian Smith	Drawing No:	A510-230-003-F2	Revision: 0
--------------	-------------	-------------	-----------------	-------------