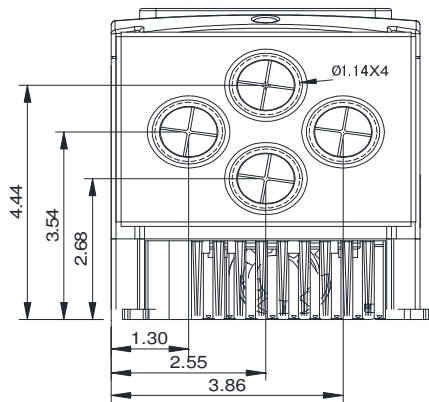
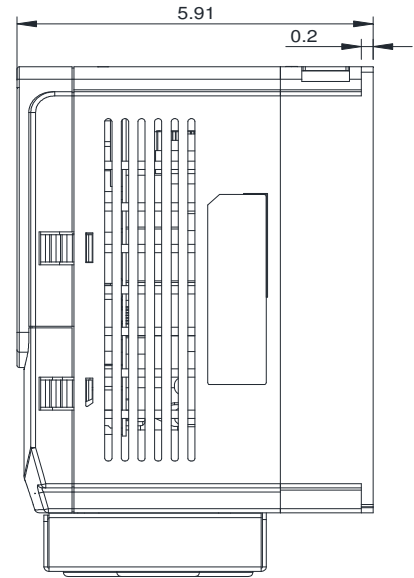
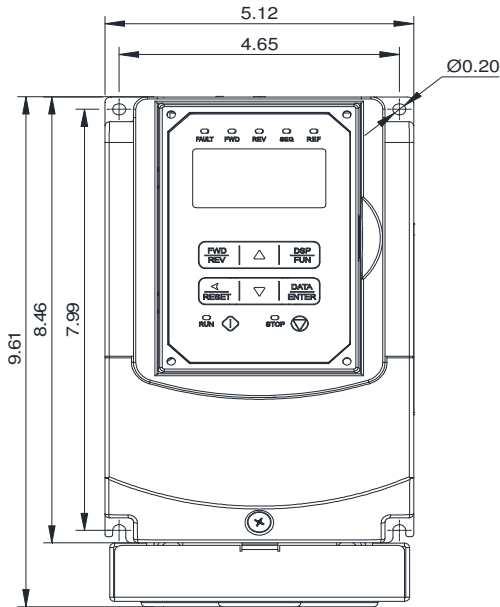


GENERAL DATASHEET VARIABLE SPEED DRIVE

Series A510				MODEL# A510-4003-C3-U		
ISSUED 8/31/2016				ENCLOSURE/ FRAME NEMA 1 (IP20) / F1		
INPUT AMPS				AC INPUT VOLTAGE 380-480	AC INPUT FREQUENCY 50/60	AC INPUT PHASE 3
HD (CT) 6		ND (VT) 7.5				
OUTPUT HP				AC OUTPUT VOLTAGE 0-480	AC OUTPUT FREQUENCY 0-599	AC OUTPUT PHASE 3
HD (CT) 3		ND (VT) 3				
OUTPUT AMPS		OUTPUT AMPS				
HD (CT) 5.5		ND (VT) 6.9				



Approved By:	Brian Smith	Drawing No:	A510-460-003-F1	Revision: 0
--------------	-------------	-------------	-----------------	-------------