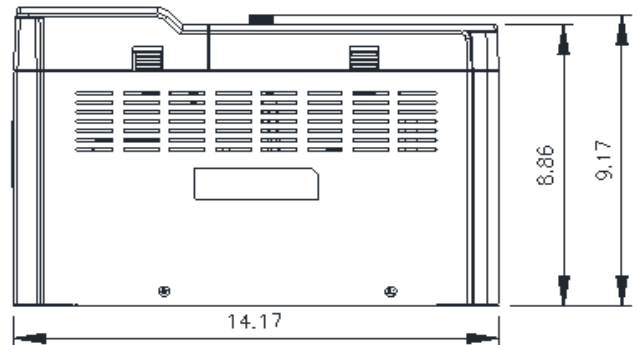
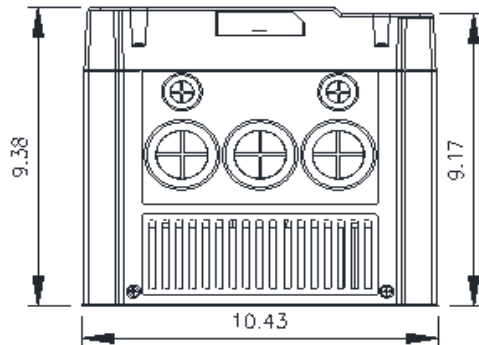
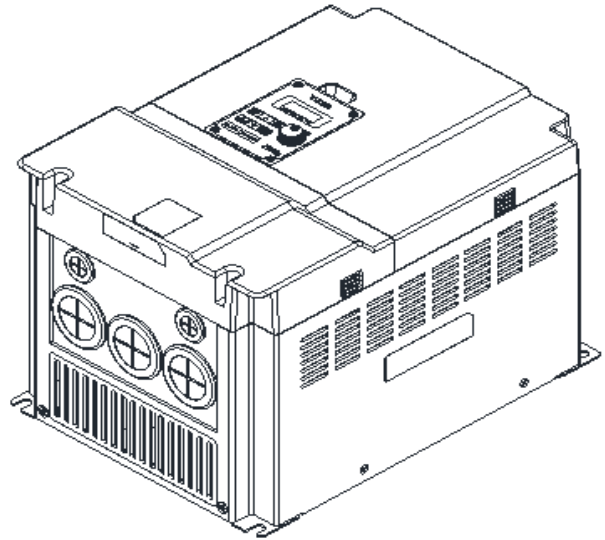
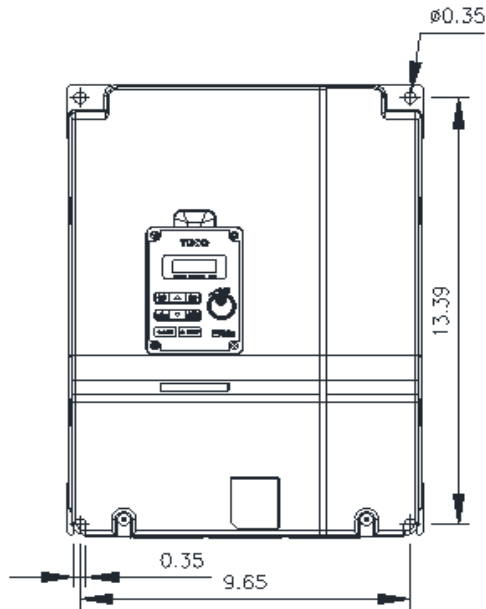


GENERAL DATASHEET VARIABLE SPEED DRIVE

Series E510				MODEL# E510-225-H3-U		
ISSUED 8/24/2017				ENCLOSURE/ FRAME NEMA 1 (IP20) / F5		
INPUT AMPS				AC INPUT VOLTAGE 200-240	AC INPUT FREQUENCY 50/60	AC INPUT PHASE 3
HD (CT) 79.4		ND (VT) 85.9				
OUTPUT HP				AC OUTPUT VOLTAGE 0-240	AC OUTPUT FREQUENCY 0-599	AC OUTPUT PHASE 3
HD (CT) 25		ND (VT) 30				
HD (CT) 73		ND (VT) 80				



Approved By:	Brian Smith	Drawing No:	E510-230-225-F5	Revision: 0
--------------	-------------	-------------	-----------------	-------------