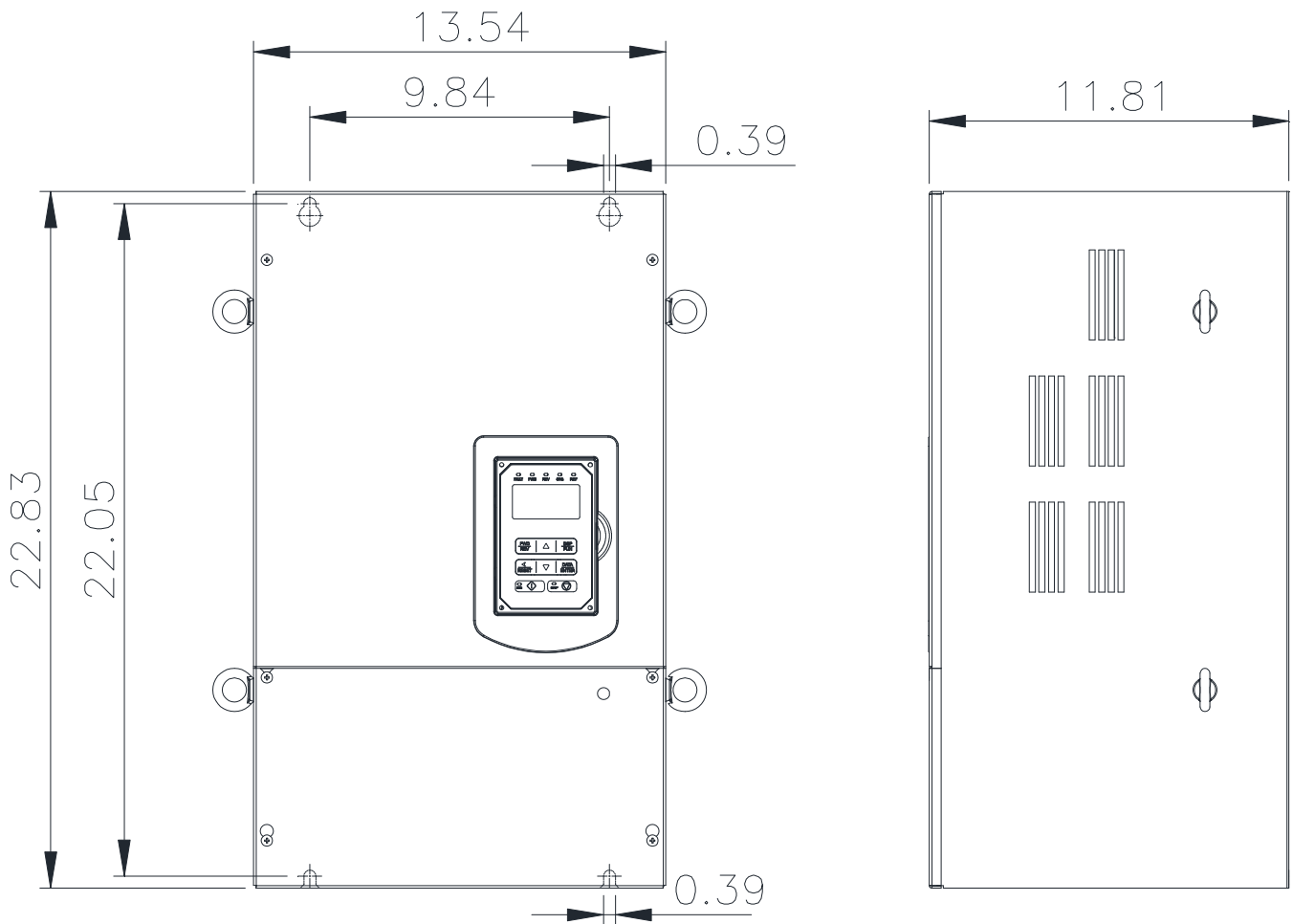


**GENERAL DATASHEET
VARIABLE SPEED DRIVE**

SERIES F510		MODEL# F510-4125-C3-U		
ISSUED 8/26/2016		ENCLOSURE/ FRAME Open Chassis (IP00) / F6		
INPUT AMPS ND (VT) 181		AC INPUT VOLTAGE 380-480	AC INPUT FREQUENCY 50/60	AC INPUT PHASE 3
OUTPUT HP ND (VT) 125	OUTPUT AMPS ND (VT) 165	AC OUTPUT VOLTAGE 0-480	AC OUTPUT FREQUENCY 0-400	AC OUTPUT PHASE 3



Approved By:	Brian Smith	Drawing No:	F510-460-125-F6	Revision: 0
---------------------	-------------	--------------------	-----------------	--------------------